

MHP808-SK1 SINGLE BOWL SINK



Description

- Model MHP808-SK1 is our stainless steel single bowl
- Conforms to HBN 00-10 Part C and HTM64 hospital standards
- Manufactured from grade 304 stainless steel, 1.2mm thick
- Tap holes drilled to customer specification
- Fully radiused, easy to clean corners

Delivery

- In stock, 2 to 3 working days

Dimensions

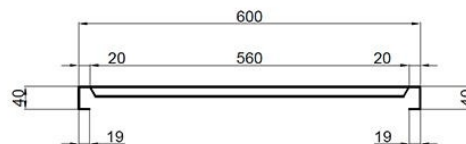
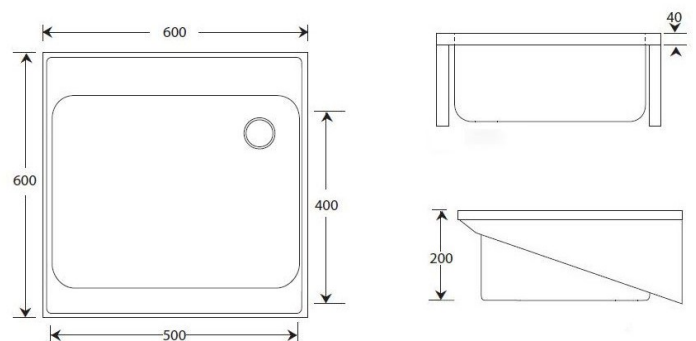
- **Length:** 600mm
- **Front to back:** 600mm
- **Depth:** 200mm

Includes

- Stainless steel wall brackets
- 38mm waste fitting

Optional Extras

- RES-BOTTLETRAP** - plastic resealing bottle trap
- MHP-FL** - front support legs
- TAPS FROM OUR EXTENSIVE RANGE**



Shown without wall brackets

